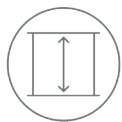


Hoardfast Soundscreen is a quick to install, modular, internal screening system. Designed to reduce the impacts of noise created from construction or renovation work, the 50mm thick, mineral wool filled panel has perforations to one side which absorb reflected noise, certified with a minimum reduction of 34dB.



Floor-to-ceiling or freestanding



Quick installation



Certified 34dB sound reduction



Reusable and sustainable



Next day delivery

FEATURES & BENEFITS

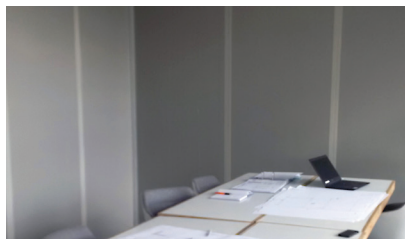
FEATURES	BENEFITS
Modular ready to install system	<ul style="list-style-type: none"> Quick, clean, easy installation saves time and money on site setup Easy to configure as required
Panel is perforated to one side	<ul style="list-style-type: none"> Produce a certified minimum 34dB* sound reduction
Sustainable product that can be reused	<ul style="list-style-type: none"> Install and demount the product multiple times giving medium- and long-term savings. Reduces waste and environmental impact on construction projects
2.25m, 2.7m, 3.1m standard panels heights	<ul style="list-style-type: none"> Create quick floor to ceiling or free-standing partitions Configure as required
Next day delivery from large UK stock**	<ul style="list-style-type: none"> Get items to site when you need them to prevent delays
Easy fit single and double doors (with Digi lock)	<ul style="list-style-type: none"> Create restricted access to construction sites or site offices and welfare spaces

* System installed floor to ceiling

** Deliveries to mainland UK



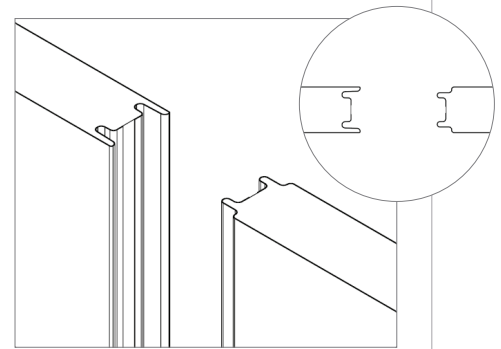
A range of panel heights are available and panels can be installed floor-to-ceiling or freestanding using Westgate's unique universal support. Soundscreen is available to purchase only.



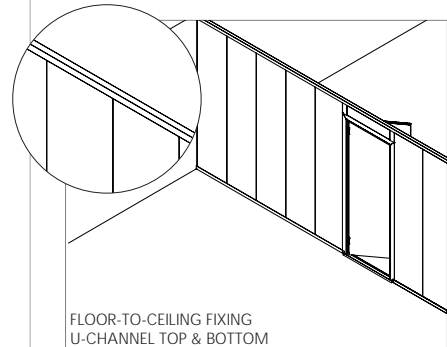
TECHNICAL SPECIFICATIONS

Material composite	White steel faced mineral wool filled
Connection method	Tongue and groove push fit
Panel Fire rating	Panel has fire behaviour characteristics attributed to EU Class A2
Sound insulation	RW = 34dB
Standard panel heights	2.25m, 2.7m, 3.1m
Panel width	1m
Panel thickness	50mm
Panel weight	14.5 kg/m ²
Support options	Floor to ceiling; supplied with u-channel fixings or Free-standing; universal

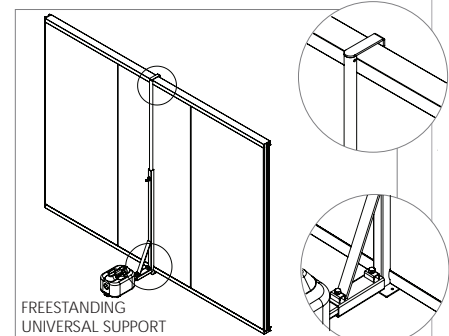
TECHNICAL SPECIFICATIONS



Panels join with a push fit tongue and groove system. Corner posts and T-sections also available.



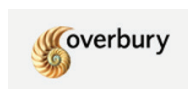
FLOOR-TO-CEILING FIXING
U-CHANNEL TOP & BOTTOM



FREESTANDING
UNIVERSAL SUPPORT

Soundscreen can be installed floor to ceiling using supplied u-channels or for a freestanding system choose our universal support, which can hold 1 - 6 16kg weights.

HOARDFAST SOLUTIONS ARE USED BY MANY INCLUDING...



This fact sheet is for illustrative purposes only and based on the latest information at the time of print. Installation methods may vary depending on specific project requirements. Westgate reserve the right to make changes at any time without notice.

