



Durablind®

enhance lifetime roller blind



Westgate's Durablind Enhance is a cassette blind, suitable for many applications. It is simple to operate and very strong, covering large windows with ease. Durablind Enhance fabric is locked into a groove in the barrel and runs in 55mm side channels, in the event of pressure being applied to the blind it will stay within the guides. It also makes an ideal blackout blind when used with our Durablind blackout fabric.



Low maintenance



10 year guarantee



Over 40 years experience



Project management



Reduce solar glare and heat

FEATURES & BENEFITS

FEATURES	BENEFITS
Magnetic detachable crank handle or electric operation	<ul style="list-style-type: none"> Reduces issues with misuse and ligature safety No small parts reducing health and safety risks in areas with children
6 different fabric ranges	<ul style="list-style-type: none"> Choose a style that suits your premises
High quality fixtures, fittings and components	<ul style="list-style-type: none"> Low maintenance and long lasting
Range of fabric colours	<ul style="list-style-type: none"> Create a consistent look across multiple site rollouts
Conform to BS5867, Part 2: Type B	<ul style="list-style-type: none"> Certified fire retardancy
Dim-out, blackout or screening options	<ul style="list-style-type: none"> Create black out areas, including; science labs, historical areas and sensitive and specialist care areas in hospitals
Anti-bacterial fabrics	<ul style="list-style-type: none"> Easily wiped clean to maintain cleanliness in hygienic environments Suitable for use in moist conditions
10 year guarantee	<ul style="list-style-type: none"> Peace of mind for your project 5 years for electrical components*
Over 40 years experience	<ul style="list-style-type: none"> Work with experienced suppliers and installers Ability to fully project manage large projects Can handle non standard access requirements

*2 years for motors with electronic limits that can be set by a remote control handset

westgateuk.co.uk +44 (0)1785 242181 salesteam@westgateuk.co.uk

PARTITIONS | SCREENS | HOARDING | DOORS | PROTECTION SYSTEMS | SOLAR CONTROL



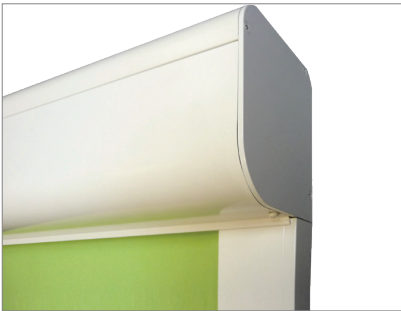


Durablind®

enhance lifetime roller blind



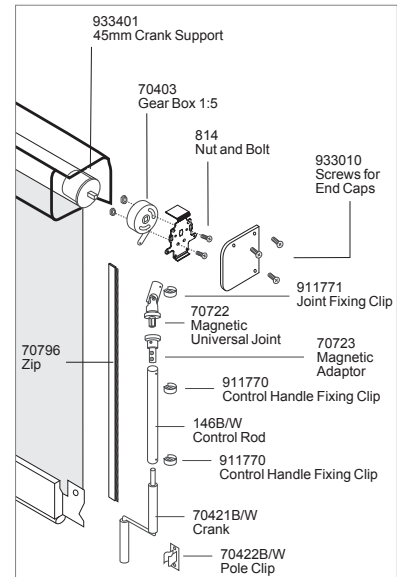
A slim aluminium bottom channel makes for positive attachment to side channels, along with studs fitted at the edge of the fabric to retain it within the side channels. Side channels and head-box are fitted with pile-seal light sealing.



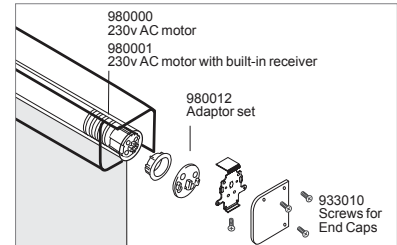
TECHNICAL SPECIFICATIONS

Fabric material	100% polyester, pvc/fibreglass mix or polyester/pvc mix
Fabric colours	Various ranges including standard white, cream, red blue, brown green and multiple others in plain, pastels and neutral shades
Dimensions	Width: 600mm - 3600mm. Drop: 600mm - 3600mm. Larger sizes not suitable for crank operation
Operation	Manual heavy duty detachable magnetic crank handle or motorised with option for wall mounted controls or hand held remote operation
Barrell	53 - 70mm aluminum barrel housing a 230v AC motor, black or white powder coating

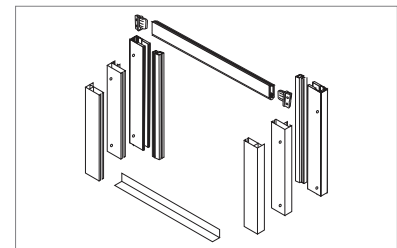
TECHNICAL SPECIFICATION



Durablind Enhance manual crank



Durablind Enhance electric motor



Side and bottom channels

WE HAVE CREATED CUSTOMISED SOLUTIONS FOR MANY INCLUDING...



This fact sheet is for illustrative purposes only and based on the latest information at the time of print. Installation methods may vary depending on specific project requirements. Westgate reserve the right to make changes at any time without notice.

westgateuk.co.uk +44 (0)1785 242181 salesteam@westgateuk.co.uk